



# Countertop Deck Oven

PRODUCT:

QUANTITY:

ITEM:

Models  CDO-18  CDO-18B

## Designed Smart

The CDO-18 & 18B Countertop Deck Oven is constructed of stainless steel top, sides and door liner with aluminized steel oven liner. The oven compartment has two ceramic decks 17 3/4"D x 17 1/2" W, which are removable to allow for easy cleaning.

The CDO-18 includes a 15 minute timer and oven thermostat range is 300° F - 680° F. The CDO-18B includes a 60 minute timer and oven thermostat range is 300° F - 550° F. Thermostat controls three sheath-type electric elements. The locations of the three elements are: one under each deck and one at the inside top of the oven.



Model CDO-18B Countertop Deck Oven

## APW Wyott Design Features

- Enclosed electric cooking oven with 15 or 60 minute timer
- The decks are ceramic (asbestos free). The decks are removable for easy cleaning. Deck size is 17 3/4" x 17 3/4"
- Each deck has stainless steel edging
- Thermostat range from 300° F - 550° F for CDO-18B and 300° F - 680° F for CDO-18 with off position
- Three prong 6 ft power cord supplied
- Unitized, welded, aluminized steel interior
- Fully insulated
- Balanced door, stay down in the open position
- Bakes pizza up to 16" diameter, cookies, casseroles, pretzels, hot sandwiches, and pies

## Reliability backed by APW Wyott's Warranty

All APW Wyott Cookline Equipment is backed by a 1-year limited warranty and a 1-year on-site labor warrant. \*

•Certified by the following agencies:



See reverse side for product specifications.



APW Wyott Foodservice Equipment Company \* 1307 N. Watters Rd. Suite 180, Allen, TX 75013  
(800) 527-2100 \* (972)908-6100 \* Fax (214) 565-0976 \* [www.apwwyott.com](http://www.apwwyott.com)

PRODUCT:

QUANTITY:

ITEM:

## PRODUCT SPECIFICATIONS

### Construction:

Stainless steel exterior with a welded aluminized steel interior. Insulated with a spring loaded door to keep the door closed in the upright position. The interior has aluminized inner liner with two easily removable ceramic decks. The legs have 1/2" rubber feet to prevent the unit from sliding on the counter top.

### Electrical:

120V, 1500W, 15 Amps  
208/240V, 1600/2140W, 7./9 Amps  
220V, 1830W, 8.3 Amps

### Overall Dimensions:

Exterior: 17" H x 23" W x 25"D

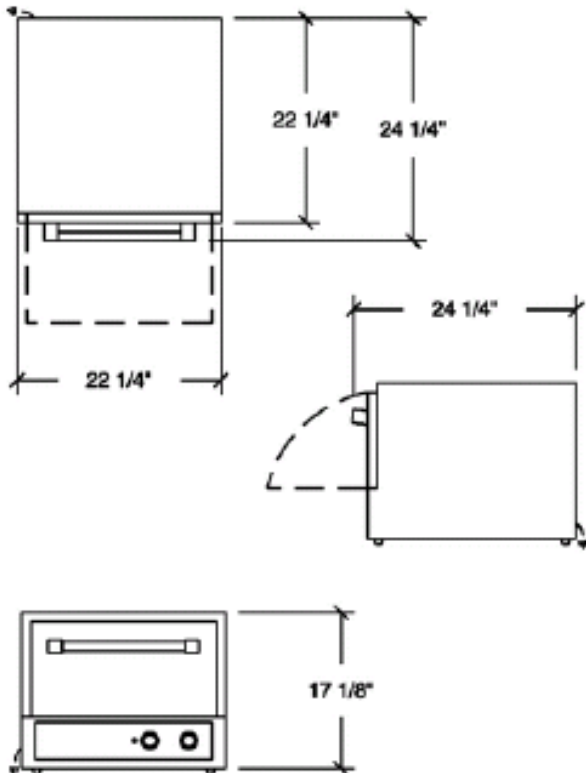
Inside: 2 shelves: 17 3/4" x 17 3/4" with 3" of clearance

### Shipping Information:

Weight: 120 lbs

Freight Class: 110

FOB: Allen, TX 75013



\*APW Wyott reserves the right to modify specifications or discontinue models without incurring obligation.