

PRODUCT:

QUANTITY:

ITEM:

## Designed Smart

APW Hot Well Gas Steam Tables are constructed of heavy gauge stainless steel with die stamped top.

- Stainless steel liner is standard
- Each compartment insulated with 1" thick fiberglass
- ½" thick poly cutting board mounted on stainless steel shelf supported by stainless steel brackets

## APW Wyott Design Features

Heavy gauge stainless steel construction for the body.

Features include:

- Poly cutting board
- Stainless steel Undershef & Legs
- UL Gas Fired and UL Sanitation approved
- Full range of options and accessories.
- Individual controls for peak performance
- Recessed controls for improved protection and safety
- Each well features a 3,500 BTU burner
- Fully adjustable Hi-Med-Low valve
- Coated Steel Heat Spreader

## Reliability Backed by APW Wyott's Warranty

All APW Wyott cooking equipment is backed by a 1-year limited warranty and a 1-year on-site labor warrant. \*

Certified by the following agencies:



Model: GST-5

## Options and Accessories

### Cutting Boards

- NSF approved Plastic Cutting Boards – 7 1/2" X 1/2"
- Hardwood – 8" X 1-1/4"
- Richlite Heat-Resistant – 7 1/2" X 1/2"

- Stainless Steel Dish Shelf
- Serving Shelves with Glass Protector
- Plate Shelves
- Tubular Tray Slide – 3-Bar
- Buffet Shelves
- Spillage Pans
- Adjustable Overall Shelf System
- Deluxe Serving Shelves
- Solid Tray Slide
- Rolltop Covers
- Adapter Bars for Food Pans – 10" X 12"
- Adapter Tops for Round Inserts – 4-, 7-, and 11-Quart

Note: All accessories can be added in the field at any time.

Models  GST-2  GST-2S  GST-3  GST-3S  GST-4  GST-4S  GST-5  GST-5S

PRODUCT:

QUANTITY:

ITEM:

## PRODUCT SPECIFICATIONS

### Construction:

All stainless steel wrapper. Individual controls for peak performance.

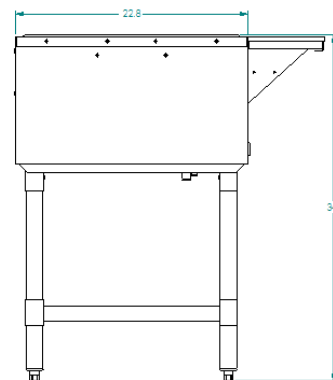
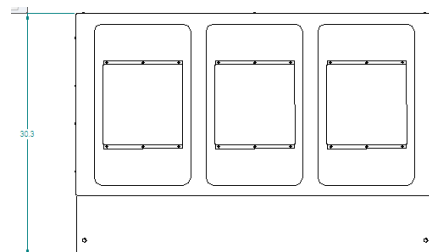
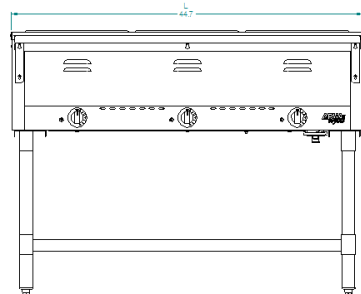
**Freight Class:** 100

**FOB:** Allen, TX 75013

Minimum Clearances	
Front	1"
Right	1"
Left	1"
Rear	1"

Gas Type	Manifold Pressure		Inlet Pressure	
	WC	Mbar	WC	Mbar
Natural	3.5"	9 min	7"	17.5 min
Propane	10"	25 min	11"	27.0 min

Dimensions				
Model	# of top openings	Length	Weight	BTU Rating
GST-2	2	30 5/8"	107	7,000
GST-2S	2	30 5/8"	114	7,000
GST-3	3	44 5/8"	167	10,500
GST-3S	3	44 5/8"	172	10,500
GST-4	4	58 5/8"	201	14,000
GST-4S	4	58 5/8"	226	14,000
GST-5	5	72 5/8"	235	17,500
GST-5s	5	72 5/8"	243	17,500



\*APW Wyott reserves the right to modify specifications or discontinue models without incurring obligation.