

Models  WGST-2  WGST-2S  WGST-3  WGST-3S  WGST-4  WGST-4S  WGST-5  WGST-5S

PRODUCT:

QUANTITY:

ITEM:

## Designed Smart

APW Hot Well Wet Bath Gas Steam Tables are constructed of heavy gauge stainless steel with die stamped top.

- Stainless steel liner is standard
- ½" thick poly cutting board mounted on stainless steel shelf supported by stainless steel brackets

## APW Wyott Design Features

Heavy gauge stainless steel construction for the body.

Features include:

- Poly cutting board
- Stainless steel undershelf
- UL Gas Fired and UL Sanitation approved
- Pilot Valve and Pilot Safety Valve Standard
- Full range of options and accessories.
- Recessed controls for improved protection and safety
- 2 and 3 well features a 15,000 BTU burner; 4 and 5 well feature a 30,000 BTU burner
- Fully adjustable Hi-Med-Low valve
- Single well design for uniform heating
- Brass drain

## Reliability Backed by APW Wyott's Warranty

All APW Wyott cooking equipment is backed by a 1-year limited warranty and a 1-year on-site labor warrant. \*

Certified by the following agencies:



Model: WGST-3

## Options and Accessories

### Cutting Boards

- NSF approved Plastic Cutting Boards – 7 1/2" X 1/2"
- Hardwood – 8" X 1-1/4"
- Richlite Heat-Resistant – 7 1/2" X 1/2"

- Stainless Steel Dish Shelf
- Serving Shelves with Glass Protector
- Plate Shelves
- Tubular Tray Slide – 3-Bar
- Buffet Shelves
- Adjustable Overall Shelf System
- Deluxe Serving Shelves
- Solid Tray Slide
- Rolltop Covers
- Adapter Bars for Food Pans – 10" X 12"
- Adapter Tops for Round Inserts – 4-, 7-, and 11-Quart

Note: Accessories can be added in the field at any time.

Models  WGST-2  WGST-2S  WGST-3  WGST-3S  WGST-4  WGST-4S  WGST-5  WGST-5S  
 PRODUCT: QUANTITY: ITEM:

## PRODUCT SPECIFICATIONS

### Construction:

All stainless steel wrapper. Individual controls for peak performance.

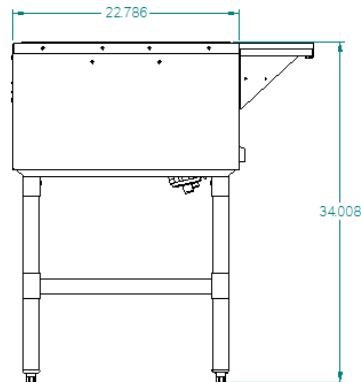
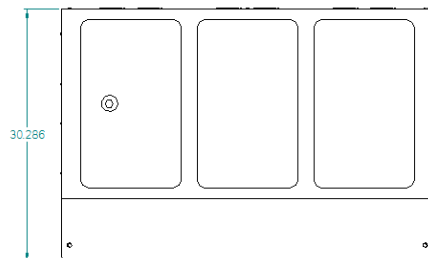
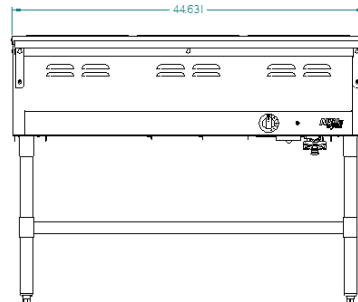
Freight Class: 100

FOB: Allen, TX 75013

Minimum Clearances	
Front	1"
Right	1"
Left	1"
Rear	1"

Gas Supply				
Gas Type	Manifold Pressure		Inlet Pressure	
	WC	Mbar	WC	Mbar
Natural	3.5"	9 min	7"	17.5 min
Propane	10"	25 min	11"	27.0 min

Dimensions				
Model	# of top openings	Length	Weight	BTU Rating
WGST-2	2	30 5/8"	114	15,000
WGST-2S	2	30 5/8"	114	15,000
WGST-3	3	44 5/8"	172	15,000
WGST-3S	3	44 5/8"	172	15,000
WGST-4	4	58 5/8"	226	30,000
WGST-4S	4	58 5/8"	226	30,000
WGST-5	5	72 5/8"	243	30,000
WGST-5s	5	72 5/8"	243	30,000



Model in the chart indicate units with galvanized legs and aluminized under shelf. To order units with stainless steel legs and under shelf insert an S after the well number. Example GST-3S-NG  
 All units are supplied with a 3/4" Regulator

\*APW Wyott reserves the right to modify specifications or discontinue models without incurring obligation.