

Models □ CH-11D ("D" after model # designates drain)

PRODUCT:

QUANTITY:

ITEM:

Designed Smart

- Heavy-duty top mount insulated round drop-in food well designed for installation in metal, or wood countertop if optional wood mounting kit is provided.
- Hot food well is designed to accommodate a 11 qt. round inset.
- The CH-11D is suitable for wet operation only.
- Standard EZ lock reduces installation time.
- Large indicating pilot light
- Immersible heating element provides quick recovery.

Built Solid

- Deep-drawn stainless steel well pans.
- The units are standard with complete UL construction including electrical conduit, bezel, and control box.
- Stainless steel drain coupling.
- Thermostatic control with 36" capillary (effective length 26").
- Compact housing – overall depth 9 ¼".
- Multiple units can be installed in same table or counter.



Options

- Wood mount kit 11 qt. (55323)
- Drain kit plus shut off valve (56420)
- Electrical code kit – 72" includes bezel, conduit, junction box (55347)
- Lever operated shut-off valve (56360)

Reliability backed by APW Wyott's Warranty

All APW Wyott Food Wells are backed by a 1-year parts and labor warranty, including on-site service calls within 50 miles of authorized service technicians.

•Certified by the following agencies:



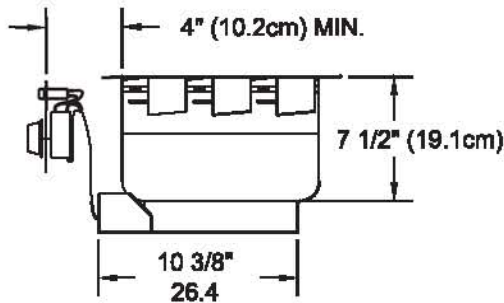
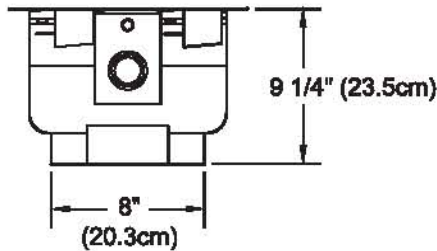
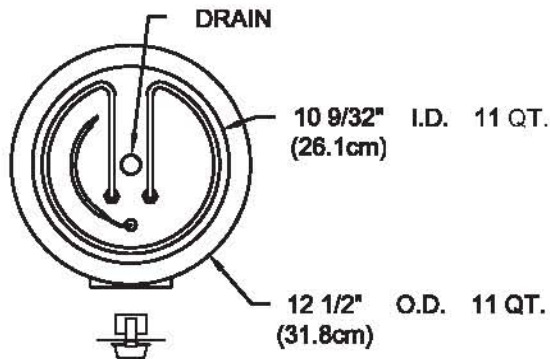
See reverse side for product specifications.

PRODUCT:

QUANTITY:

ITEM:

Round Wells Hot Food Wells



PRODUCT SPECIFICATIONS

Construction:

Well is constructed of one piece die-stamped austenite stainless steel. Units are provided with stainless steel 1/2" NPT drain welded to bottom of pan provided with removable screen. Unit is heated by a tubular immersible calrod heating element. Unit standard with APW Wyott E-Z Locks for easy installation.

1" (2.5cm) flange

Thermostatic control has 36" capillary (effective length 26")

Electrical Specifications:

120V, 1650W, 13.75 Amps

Overall Dimensions:

Outside: 12 1/2" Dia. x 9 1/4" D
(31.8cm x 23.5cm)

Inside: 10 9/32" Dia. x 7 1/2" D
(26.1cm x 19.1cm)

Cutout: 10 3/4" Dia.
(27.3cm)

Wood Mount

Kit Cutout: 12 13/16" Square (34.9cm)

Control Cutout: 5 3/4" W x 6 1/4" H
(27.3cm x 15.9cm)

Shipping Information:

12 lbs. (5.5 kg)

FOB: Allen, TX 75013

*APW Wyott reserves the right to modify specifications or discontinue models without incurring obligation.