

PRODUCT:

QUANTITY:

ITEM:

Designed Smart

- The W4-2 dual 4 quart warmer is compact, portable, easy to maintain and inexpensive.
- Great for kitchens, buffets, counters and dining rooms.
- With dual capabilities in one package, the W4-2 can be used wet for (stews, soups, vegetables, etc.) at ideal serving temperature.



Model W4-2 Dual 4 Quart Warmer

APW Wyott Design Features

- Constructed with heavy-duty stainless steel for excellent durability.
- Inside liner made with stainless steel.
- Steel “element support” stabilizes heating elements and reflects heat toward food.

Reliability backed by APW Wyott’s Warranty

These APW Wyott Warming Equipment is backed by a 1-year Parts and Labor warranty, including our “Enhanced Warranty” service that replaces new units with certain product issues through the convenience of direct factory shipments.

•Certified by the following agencies:



*Warranty does not include rock grates, cooking grates, burners shields or fireboxes.

See reverse side for product specifications.

PRODUCT:

QUANTITY:

ITEM:

PRODUCT SPECIFICATIONS**Construction:**

Constructed of heavy-duty stainless steel.

Electrical Information:

Each unit is equipped with a 60", three wire grounded power cord which terminates with a standard three pronged male plug. The W4-2 uses a NEMA 5-15P plug.

Electrical Specifications:

120V, 800W, 6.7 Amps

Overall Dimensions:8 1/4" H x 18 1/2" W x 9 1/2" D
(21cm x 47 cm x 24.1cm)**Capacity:**

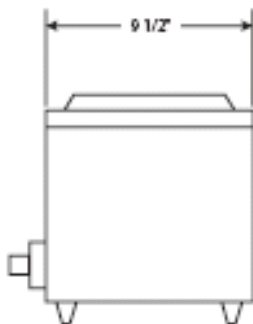
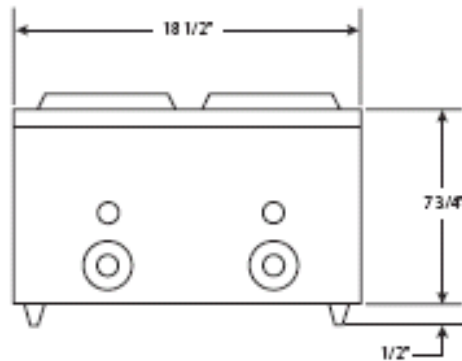
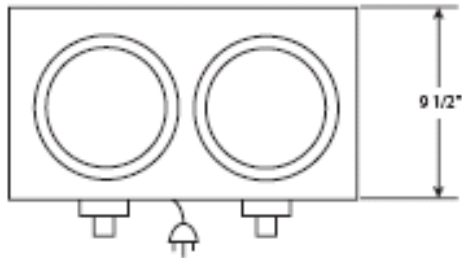
8 qts. (7.6L)

Shipping Weight:

10 lbs. (4.5kg)

FOB: Allen, TX 75013

Freight Class: 100



*APW Wyott reserves the right to modify specifications or discontinue models without incurring obligation.