



Classic Kettle Cookers & Warmers

PRODUCT:

QUANTITY:

ITEM:

Models: CWK-1pkg 56776 Kettle Only WK-1V plsg 56620 Kettle Only

APW Wyott Design Features

CWK-1 Kettle Cooker/Warmer

- CWK-1 Kettle utilizes a bottom mounted heating element and an aluminum transfer plate to provide consistent heat.
- Thermostatically controlled heat can reach temperatures up to 350° degrees.
- Provided with insulation to protect interior parts and countertops from heat build-up.
- Unit is designed to be used with water, but will be damaged if it runs dry.

Design Smart- Built Tough

- 11-qt. capacity
- Multi-functional — cooks, warms and serves soups, chowders, chili and sauces.
- Attractive ebony housing.
- Thermostatic control for accurate temperature regulation.
- Lightweight aluminum and stainless steel construction.



CWK-1pkg

Built Solid

Reliability backed by APW Wyott's Warranty

- All APW Wyott Cooking equipment is backed by a 1-year Parts and Labor warranty
- Certified by the following agencies:



APW Wyott Design Features

CWK-1 Kettle Cooker/Warmer

- 11-qt. capacity — converts to 7 qt. with adapter kit.
- Multi-functional — cooks, warms and serves soups, chowders, chili and sauces.
- Attractive ebony housing.
- Thermostatic control for accurate temperature regulation.
- Lightweight aluminum and stainless steel construction.

WK-1 Kettle Warmer

- WK-1 Kettle utilizes a bottom mounted heating element and an aluminum transfer plate to provide consistent heat.
- 11 qt. capacity
- Sturdy aluminum construction.
- Insulated to maintain steady 160-170F temperature.
- Indispensable countertop item.

Options

Inset, flat cover and colorful soup merchandising cards included in pkg

See reverse side for product specifications.





Classic Kettle Cookers & Warmers

PRODUCT:

QUANTITY:

ITEM #:

Models: CWK-1pkg 56776 Kettle Only WK-1V plsg 56620 Kettle Only

PRODUCT SPECIFICATIONS

Construction:

Crafted of heavy gauge aluminum. Fiberglass insulated

Electrical Specifications:

WK-1: 120V, 500W, 4.2 Amps
240V, 660W, 2.7Amps
CWK-1: 120V, 800W, 6.7 Amps
240V, 800W, 3.3 Amps

Capacity:

11 qts. (10.4 L)

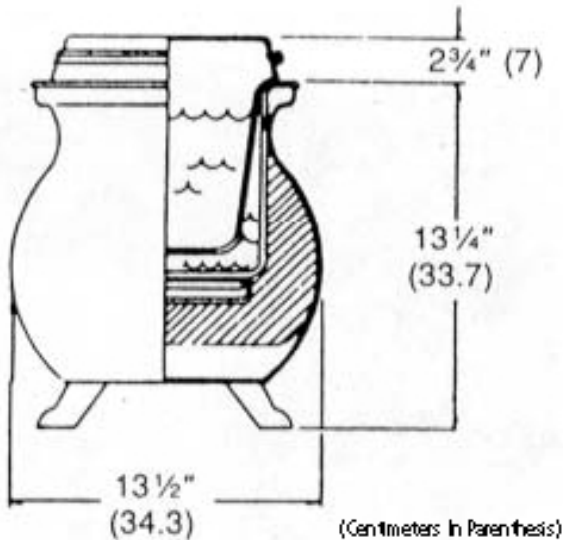
Overall Dimensions:

WK-1: 16" H x 13 1/2" Dia. (40.6 cm x 34.3 cm)
CWK-1: 16" H x 13 1/2" Dia. (40.6 cm x 34.3 cm)

Shipping Information:

WK-1: 20 lbs. (9.1 kg) with inset
16 lbs. (7.3 kg) without inset
CWK-1: 20 lbs. (9.1 kg) with inset
16 lbs. (7.3 kg) without inset

FOB: Dallas, TX 75226



*APW Wyott reserves the right to modify specifications or discontinue models without incurring obligation.



APW Wyott Foodservice Equipment Company · 729 Third Ave., Dallas, TX 75226
(800) 527-2100 · (214) 421-7366 · Fax (214) 565-0976 · www.apwwyott.com · info@apwwyott.com

Rev. 6/05/2008
1004