



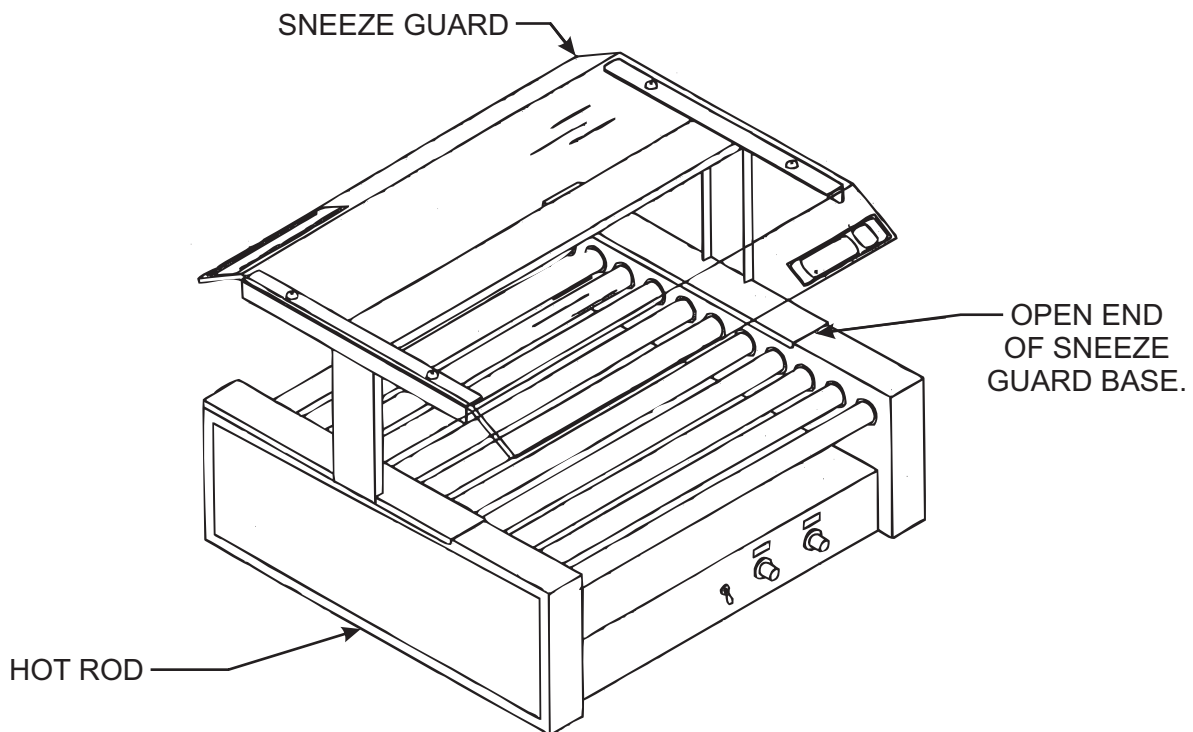
SG-30PX & SG-50PX ASSEMBLY & CLEANING INSTRUCTIONS

1. ASSEMBLY:

Place Sneeze Guard on HR unit as shown. Note that open end of Sneeze Guard base locates towards front (controls) side of HR unit. **THIS IS VERY IMPORTANT ON SLANTED HOT RODS. IF PLACED OPPOSITE AS SHOWN THE SNEEZE GUARD WILL SLIDE OFF UNIT.**

2. CLEANING:

Rinse cover with lukewarm water, wash gently with mild soap or detergent and lukewarm water, using a soft cloth or sponge. Do not scrub or use brushes or squeegees, rinse again, dry with soft cloth or cellulose sponge to prevent water spotting. **DO NOT USE ALKALIS, HYDROCARBONS, AMINES, ESTERS, PAINT THINNERS, GASOLINE OR ABRASIVE CLEANSERS ON LEXON COVER. DAMAGE WILL RESULT.**



P/N 300600-95 11/06

APW WYOTT Foodservice Equipment Company

P.O. Box 1829
Cheyenne, WY 82003

+1 (307) 634-5801 Phone
+1 (307) 637-8071 Fax

+1 (800) 752-0863 Toll Free
www.apwwyott.com