

Models □ 350E (120V) □ 500E (208V) □ 350L (120V) □ 500L (208V)

PRODUCT:

QUANTITY:

ITEM:

Designed Smart

Developed for Great Toast and Energy Savings

•Energy Savings to 75% of normal run mode. Results show that ECO 4000 saves 36% more energy compared to competitive products.

•Electronic Model Features

* Toast Now technology allows the user to begin toasting immediately – Just put a piece of bread, bagel or muffin in, press the appropriate cycle button and it's toasting.

No more waiting for warm-up times, or having to consume excess energy to keep the unit "ready" for sporadic business – A further energy savings.

• Toast cycle is monitored to give consistent toast whether a single piece or 100 pieces are processed.

•Preset Programmable buttons - Set for store menu

* long run cycles for meal times are available,

* specialty products such as waffles or pastries..

•Allows for front and back of store use.

•Conveyor Configuration allows for thick products (up to 1.5 in.) to be cooked and discharged. . Bagles and English muffins will not get stuck! No need for the 3 inch opening and the energy it wastes! Smaller opening still allows for large products and gives energy savings. Energy saving mode in the programmed time cycle allows the unit (either Electronic or Analog) to automatically go into idle mode following a busy time. Set it and it takes care of itself!

•All setting are fully adjustable for individual preference.

APW Wyott Design Features

- Individually controlled top and bottom heating elements.
- Superfeeder included.
- Removable reflector tray for ease in cleaning.
- Self-dispensing bread drawer slides forward for removal of product.
- Energy Saver Timer conserves energy during slow periods.
- Idle Mode on Electronic Units provides additional savings during intermittent use.
- Stainless steel construction with aluminized steel interior provides durability.
- Fully insulated and air-cooled (cool to the touch sides).

*Warranty does not include rock grates, cooking grates, burners shields or fireboxes.



Model ECO 4000 350E

Built Solid

- Stainless steel construction for durability.
- Heavy duty motor, drive chain and controls are the most reliable in the industry.
- Air cooling system keeps critical components safe from heat.
- High temperature bearings never require lubrication.
- High limit switch prevents toaster from over heating.
- Metal sheathed heating elements on the Analog Toaster are the most reliable in the industry.
- Conveyor belt is easy to access for daily cleaning.
- Access to control systems from front panel for fast and easy service.

Reliability backed by APW Wyott's Warranty

All APW Wyott Heavy Duty Cookline Equipment is backed by a 1-year limited warranty and a 1-year on-site labor warrant. *

•Certified by the following agencies:



See reverse side for product specifications.

PRODUCT:

QUANTITY:

ITEM:

PRODUCT SPECIFICATIONS:

Construction:

Stainless steel housing and rails on front and sides, aluminized steel on the back panels and inside surfaces. Stainless Steel crumb and toast trays. Metal sheathed heating elements in the analog (L) models and quartz tube heating elements in the Electronic (E) models. Stainless steel wire conveyor belt. High temperature insulation protects control panel and exteriors.

Electrical Information:

Each unit is equipped with a 39", three wire grounded power cord which terminates with a standard three pronged male plug. The 208V units use a NEMA 6-20P plug.

Electrical Specifications;

350 L/E: 120V, 1725W, 14.4 Amps
 500 L/E: 208V, 2800W, 13.6 Amps
 500 L/E: 240V, 2800W, 11.7Amps

Capacity:

350 L/E: 350 slices per hour
 500 L/E: 500 slices per hour

Overall Dimensions:

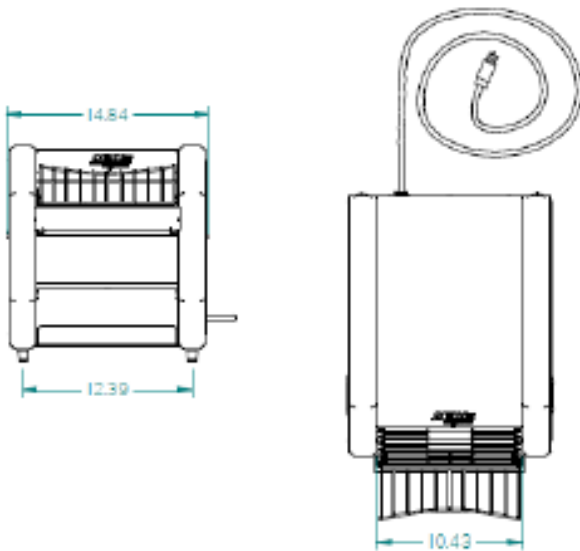
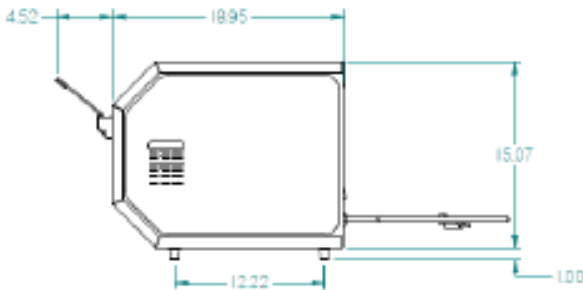
Product opening height is 1 1/2"
 15 1/16" H x 14 13/16" W x 23 1/2" D

Shipping:

350/500 L/E: 54 lbs. (24.5 kg)

Freight Class: 100

FOB: Allen, TX 75013



Consultant Specifications

Toasters are constructed of stainless steel and aluminum material. Range of belt speeds should be 28 to 75 seconds. Front corners and front conveyor guard should be painted. Toasters furnished with 1" adjustable legs. Infrared metal sheathed radiant heaters are located on the top and bottom and are individually controlled by Infinite Heat Controls. On/Off switch has Indicator Light that glows when the toaster is on. Power saver switch will be supplied that reduces energy by 50%. Product opening is 1 1/2". Motors are permanently lubricated. Toaster will be Air Cooled with a thermostatically controlled fan that stays on until the toaster is cool to the touch. Control area has cooling fan. Units are UL listed, UL Sanitation, and Canadian UL approved.

*APW Wyott reserves the right to modify specifications or discontinue models without incurring obligation.