

Models FT-1000 208V FT-1000 240V FT-1000H 208V FT-1000H 240V

PRODUCT:

QUANTITY:

ITEM:

Designed Smart

- The Fastrac 1000 can generate up to 1000 slices of toast per hour.
- per hour.
- The Fastrac 1000H handles up to 660 thicker slices of bread per hour.
- Front-exiting hot air blows directly on toast in feeder area, accelerating the toasting action.
- Toasters have an extended Super Feeder and Warming Area to allow for high volume production.
- Unique Warming area keeps toast at the perfect temperature until you are ready to serve.
- A variable speed control for the conveyor and controls for top and bottom heating elements produce optimum results in toasting color and texture.
- The Fastrac 1000 is able to handle all types of breads, bagels or muffins under 1 ½" thick. Fastrac 1000H handles thicker breads up to 3" thick.
- Metal sheathed heating elements offer enhanced durability and consumer safety vs. quartz heating tube that can shatter and contaminate food.



APW Wyott Design Features

- Protects your employees with "Cool Touch" exteriors, both sides and top surfaces.
- Individually controlled top and bottom heating element.
- Superfeeder included.
- Removable reflector tray for ease in cleaning.
- High temperature bearings never require lubrication.
- Rotary standby switch conserves energy during slow periods.
- Fully insulated and air-cooled.
- Stainless steel bread tray extends forward from toaster warming area, increasing overall holding capacity.

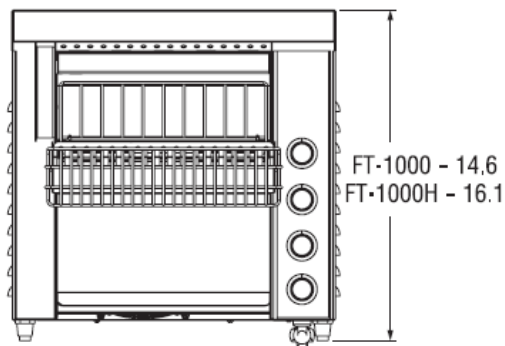
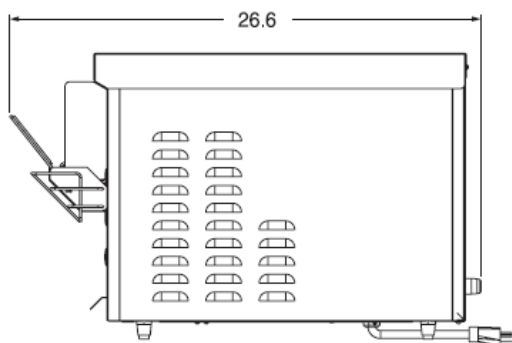
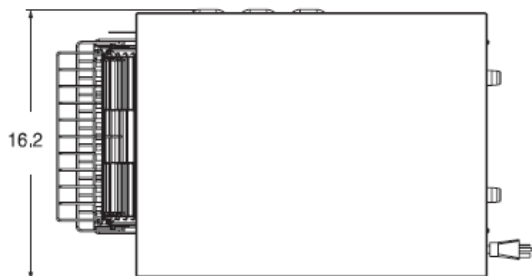
Reliability backed by APW Wyott's Warranty

All APW Wyott Heavy Toasters are backed by a 1-year parts and labor warranty, including on-site service calls within 50 miles of authorized service technicians.

•Certified by the following agencies:



See reverse side for product specifications.



PRODUCT SPECIFICATIONS:

Construction:

Stainless steel housing and radiant reflector. Metal sheathed heating elements. Stainless steel wire, and conveyor belt. High temperature insulation protects control panel and exteriors. 1" metal legs.

Electrical Information:

Each unit is equipped with a 40", three wire grounded power cord which terminates with a standard three pronged male plug. The 208V/240V, use a NEMA 6-20P. In Canada, cord length is 64".

Electrical Specifications:

FT-1000:	208V, 3300W, 15.9Amps
	240V, 3300W, 13.8Amps
FT-1000H:	208V, 3300W, 15.9Amps
	240V, 3300W, 13.8Amps

Capacity:

FT-1000:	1000 slices per hour
FT-1000H:	660 slices per hour

Overall Dimensions:

FT-1000:	14 3/5" H x 16 1/5" W x 26 1/2"D
FT-1000H:	16 1/10"H x 16 1/5"W x 26 1/2"D

Product opening height is 1 1/2" on the XTRM-2 and

Shipping:

FT-1000:	56 lbs.
FT-1000H:	62 lbs

Freight Class: 100

FOB: Allen, TX 75013

Consultant Specifications

Toasters are constructed of stainless steel and aluminum material. Range of belt speeds should be 28 to 75 seconds. Front corners and front conveyor guard should be painted. Toasters furnished with 1" adjustable legs. Infrared metal sheathed radiant heaters are located on the top and bottom and are individually controlled by Infinite Heat Controls. On/Off switch has Indicator Light that glows when the toaster is on. Power saver switch will be supplied that reduces energy by 50%. Product opening is 1 1/2", motors are permanently lubricated. Toaster will be Air Cooled with a thermostatically controlled fan that stays on until the toaster is cool to the touch. Control area has cooling fan. Units are UL listed, UL Sanitation, and Canadian UL approved.

*APW Wyott reserves the right to modify specifications or discontinue models without incurring obligation.