



Lowerator® Adjustube® II Plate Dispensers

Models: L-A SL-A HL-A

PRODUCT:

QUANTITY:

ITEM#:

Bid Specifications

The Adjustube® II is a tube-type, self-leveling, drop-in dispenser field adjustable to a variety of china weights and diameters. To change china patterns, simply adjust the spring rate and position the stainless steel guide rods in the proper head guide holes. Knurled lock nuts hold the rods securely in place, and the rods form the guides for the dispensing head. When full tube diameter is required, the rods store in the flanges and form bumpers to protect the china.

APW Wyott's Lowerators® dispensing mechanism uses springs attached to a sliding support bar that rides both inside and outside the tube.

This design feature prevents a stack of dishware from sticking in the down position, and releasing unexpectedly.

Adjustable extension springs (both 2.5 oz. per inch and 4.0 oz. per inch) come with each tube for weight adjustment up to 100 pounds. Two size ranges are available: 3-1/2" –9-1/8" diameter china and 9-1/4" –11-7/8" diameter china. The Adjustube® II will also accept oval plates as well as oval platters up to 12 inches. Units have vertical storage of 25 1/2".

The dispensing head is stainless steel with five sets of reinforced guide holes for smooth, even operation. China is always held securely and at a consistent and convenient dispensing height.

Applications

APW Wyott's Adjustube® II offers maximum flexibility and convenience in countertop dispensing of plates, cups, bowls, glasses or other round dinnerware.

Reliability Backed by APW Wyott's Warranty

- APW Wyott's Dispensers are backed by a 1 year parts & labor warranty, including On-Site Service calls within 50 miles of authorized service technicians.



- Dispensers are Certified by the following agencies:



All Units



Heated Units only



Lowerator® Adjustube® II Plate Dispensers



Lowerator® Adjustube® II Plate Dispensers

Options:

- | | |
|--------------------------------|---------------------------------|
| <input type="checkbox"/> L-9A | <input type="checkbox"/> L-12A |
| <input type="checkbox"/> SL-9A | <input type="checkbox"/> SL-12A |
| <input type="checkbox"/> HL-9A | <input type="checkbox"/> HL-12A |

See reverse side for product specifications.

APW Wyott Foodservice Equipment Company

729 Third Avenue • Dallas, TX 75226 • 800-527-2100 • 1-214-421-7366 • Fax 1-214-565-0976



For more information e-mail us at: Info@APWwyott.com

Rev. 1/1/2003



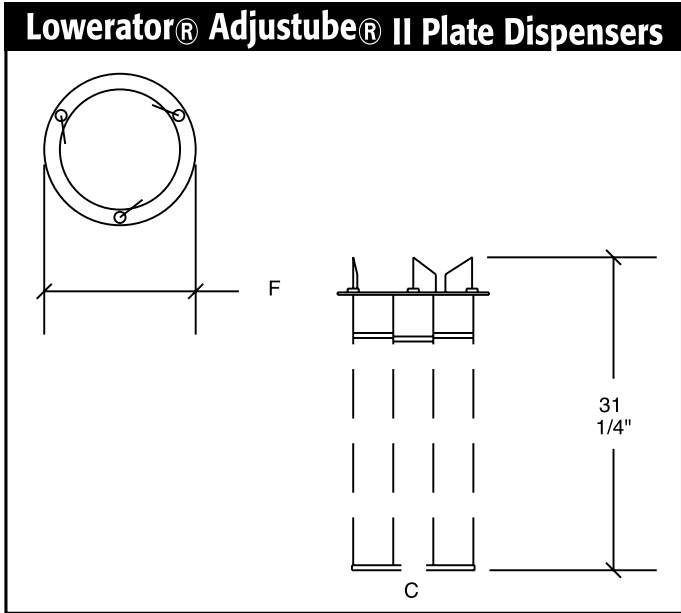
Lowerator® Adjustube® II Plate Dispensers

Models: L-A SL-A HL-A

PRODUCT:

QUANTITY:

ITEM#:



Adjustube® II

PRODUCT SPECIFICATIONS

Construction:

Solid stainless steel construction. Stainless steel dispensing head for long service and safety.

Electrical System:

The HL-A Heated Adjustube® has a self-contained heating system with individual on/off switch, indicator light and an adjustable thermostat. Temperature range of plates after one hour in heated tube (depending on temperature of plates when placed in tube):

Minimum setting: 80°-100°F.

Maximum setting: 110°-150°F.

Supplied with a 5-foot length of flexible conduit with standard 1/2" fittings and 6" wire leads.

F.O.B. Cheyenne, WY

MODEL NUMBER	CHINA SIZE
L-9A	3-1/2"-9-1/8" Diameter
L-12A	9-1/4"-11-7/8" Diameter
SL-9A	3-1/2"-9-1/8" Diameter
SL-12A	9-1/4"-11-7/8" Diameter
HL-9A	3-1/2"-9-1/8" Diameter
HL-12A	9-1/4"-11-7/8" Diameter

MODEL NUMBER	COUNTER CUTOUT DIAMETER (C)	SUPPORTING FLANGE DIAMETER (F)	CHINA SIZE RANGE (DD)
L-9A SL-9A HL-9A	11-9/16"	12-3/8"	3-1/2" to 9-1/8" Diameter
L-12A SL-12A HL-12A	14-5/16"	15-1/8"	9-1/4" to 11-7/8" Diameter

MODEL NUMBER	DESCRIPTION	NUMBER OF ADJUSTMENT	HEATED TUBE WATTAGE	TOTAL AMPS	CAPACITY		SHIPOUT
					MAX. LOAD	QUANTITY	
L-9A	Open Chassis	5	—	—	131 lbs.	(All Models)	20 lbs
SL-9A	Shielded, Unheated	5	—	—		6 Dozen	26 lbs
HL-9A	Shielded, Heated, 120V	5	380	3.2		Dishes	28 lbs
L-12A	208/240 units available Open Chassis	5	—	—	175 lbs	3 Dozen	22lbs
SL-12A	Shielded, Unheated	5	—	—		Bowls	29lbs
HL-12A	Shielded, Heated, 120V	5	500	4.2		4-1/2 Dozen	37lbs
HL-12A on 9 trays	208/240 units available					Cups or Glasses	



APW Wyott Foodservice Equipment Company

729 Third Avenue • Dallas, TX 75226 • 800-527-2100 • 1-214-421-7366 • Fax 1-214-565-0976

For more information e-mail us at: Info@APWwyott.com

Rev. 1/1/2003 #1305