



# Lowerator<sup>®</sup> Mobile Cantilever Tray Dispensers

PRODUCT:

QUANTITY:

Model:  MCTR  MCTRS  
ITEM#:

## Designed Smart.

- MCTRS-2020-5     MCTRS-2020-6     MCTRS-2020-6.5
- HMCTRS-2020-5     HMCTRS-2020-6     HMCTRS-2020-6.5
- MCTR-1418     MCTR-1616     MCTR-1620
- MCTR-1622     MCTR-1020     MCTR-2020
- HMCTR-1020     HMCTR-2020

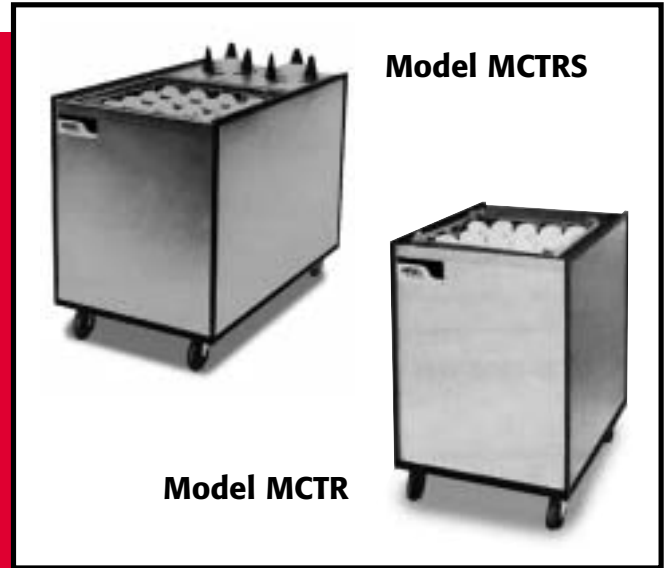
## Bid Specifications

- Mobile cantilever-type self-leveling dispensers to store racks of cups or glasses or trays at a constant dispenser height for customer convenience. These enclosed dispensers are available in unheated or heated models for a variety of tray or rack sizes. The MCTRS series also accommodates two stacks of china in addition to trays or racks through the use of drop-in dish dispensers. All units feature an easily adjustable dispensing system which covers a wide load rate range. By connecting self-contained extension springs, the spring rate can be increased in increments of one lb./inch. Stainless steel construction. Four-inch rubber casters standard. Caster brakes on rear casters.

## Built Solid.

### Reliability backed by APW Wyott's Warranty

- All APW Wyott Dispensers are backed by a 1-year Parts and Labor warranty, including On-Site Service calls within 50 miles of authorized service technicians.
- Certified by the following agencies:



Model MCTR

Model MCTRS

MODEL MCTR, MCTRS  
Cantilever Tray Mobile Dispensers

## APW Wyott Design Features

- Stainless steel construction.
- Protective corner bumper standard.
- Tray carrier will not tip or bind.
- Convenient push handle.
- Lift-out panel for easy access to dispensing mechanism.

### Options:

- 5P 5" polyurethane casters, two with brakes.
- OS Overshelf installed on Models MCTR and HMCTR.
- Custom plastic laminate exteriors.



### APW Wyott Foodservice Equipment Company

729 Third Avenue • Dallas, TX 75226 • 800-527-2100 • 1-214-421-7366 • Fax 1-214-565-0976

For more information e-mail us at: [Info@APWwyott.com](mailto:Info@APWwyott.com)

Rev. 1/1/2003

See reverse side for product specifications.



# Lowerator<sup>®</sup> Mobile Cantilever Tray Dispensers

Model:  MCTR  MCTRS

PRODUCT:

QUANTITY:

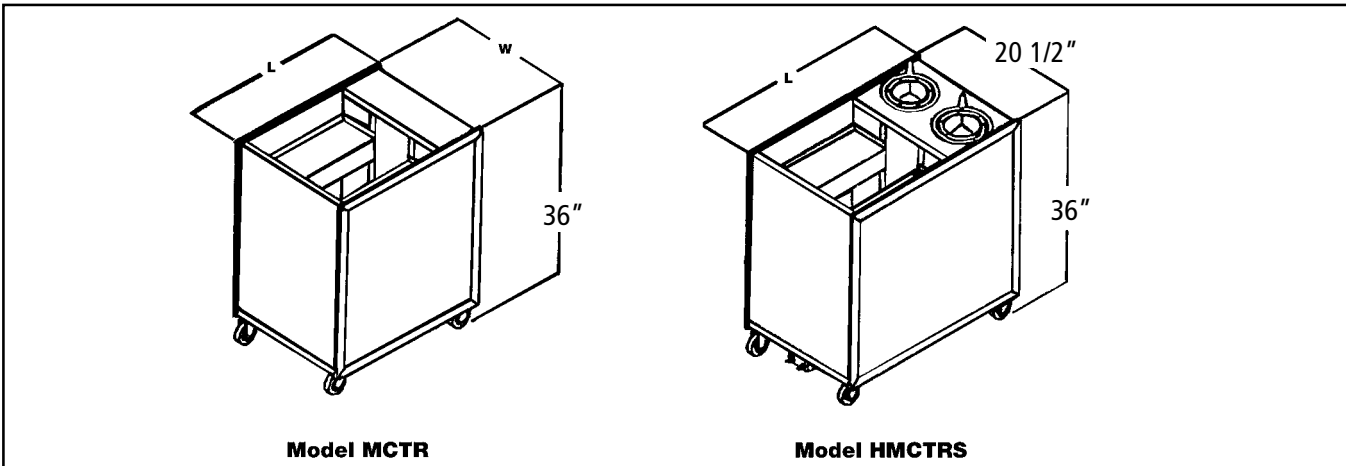
ITEM#:

## PRODUCT SPECIFICATIONS

Stainless steel construction. Standard non-marking 4" hard rubber casters and rubber perimeter bumpers.

### Capacity:

To 125 trays, 14 dozen cups, 16 dozen glasses. Saucer dispensers up to six dozen saucers each. Vertical storage 27 1/2" (23" travel and 4 1/2" to top of unit). Total Load Capacity: Up to 250 lbs.



F.O.B. Cheyenne, WY

Models MCTR & MCTRS Mobile Cantilever Tray Dispensers

Model Number	Platform Dimensions		Overall Dimensions		Shipping Weight	Saucer Size	Electrical Specs*	
	W1	L1	W	L			Amps	Watts
MCTRS-2020-5	20½"	20½"	24"	40¾"	247 lbs.	Up to 5"	—	—
MCTRS-2020-6	20½"	20½"	24"	40¾"	247 lbs.	5⅝" to 5¾"	—	—
MCTRS-2020-6.5	20½"	20½"	24"	40¾"	247 lbs.	5⅝" to 6½"	—	—
HMCTRS-2020-5	20½"	20½"	24"	40¾"	274 lbs.	Up to 5"	10.8	1250
HMCTRS-2020-6	20½"	20½"	24"	40¾"	274 lbs.	5⅝" to 5¾"		
HMCTRS-2020-6.5	20½"	20½"	24"	40¾"	274 lbs.	5⅝" to 6½"		
MCTR-1418	14½"	18½"	18"	28¼"	160 lbs.		—	—
MCTR-1616	16¾"	16¾"	20¼"	26½"	175 lbs.			
MCTR-1620	16¾"	20¾"	20¼"	30½"	180 lbs.			
MCTR-1622	16¾"	22½"	20¼"	32¼"	180 lbs.			
MCTR-1020	20½"	10½"	24"	20¼"	160 lbs.			
MCTR-2020	20½"	20½"	24"	30¼"	204 lbs.			
HMCTR-1020	20½"	10½"	24"	20¼"	185 lbs.			
HMCTR-2020	20½"	20½"	24"	30¼"	231 lbs.			

\* 208/240V units are available

APW Wyott reserves the right to modify specifications or discontinue models without incurring obligation.



## APW Wyott Foodservice Equipment Company

729 Third Avenue • Dallas, TX 75226 • 800-527-2100 • 1-214-421-7366 • Fax 1-214-565-0976

For more information e-mail us at: [Info@APWwyott.com](mailto:Info@APWwyott.com)

Rev. 1/1/2003 #1310